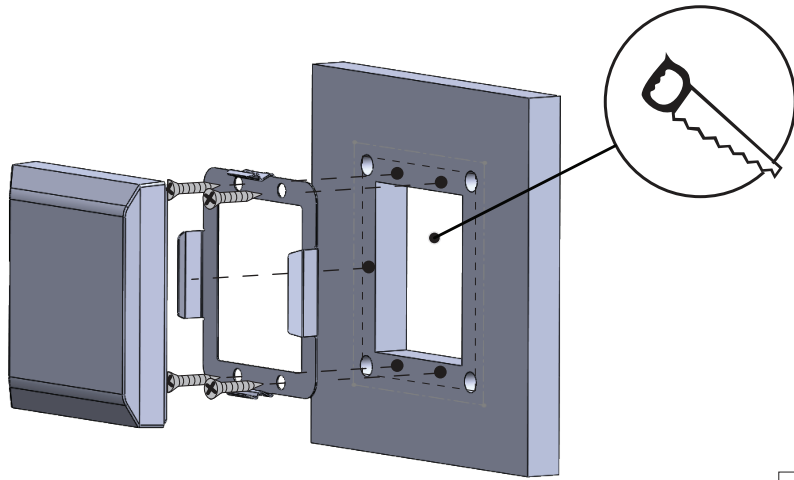
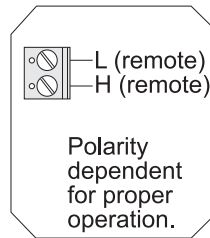


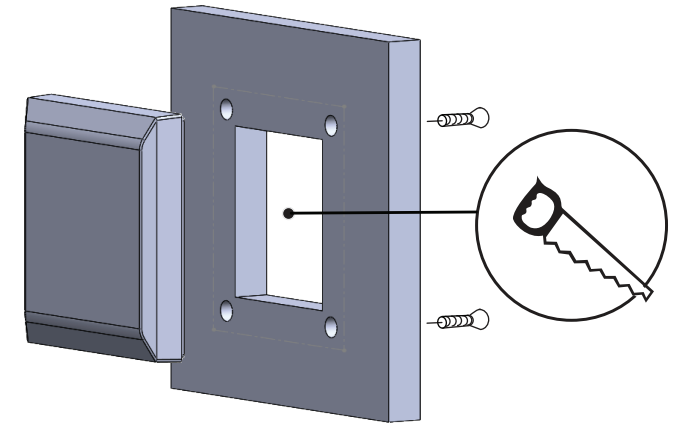
Mounting with metal frame



Connection Diagram

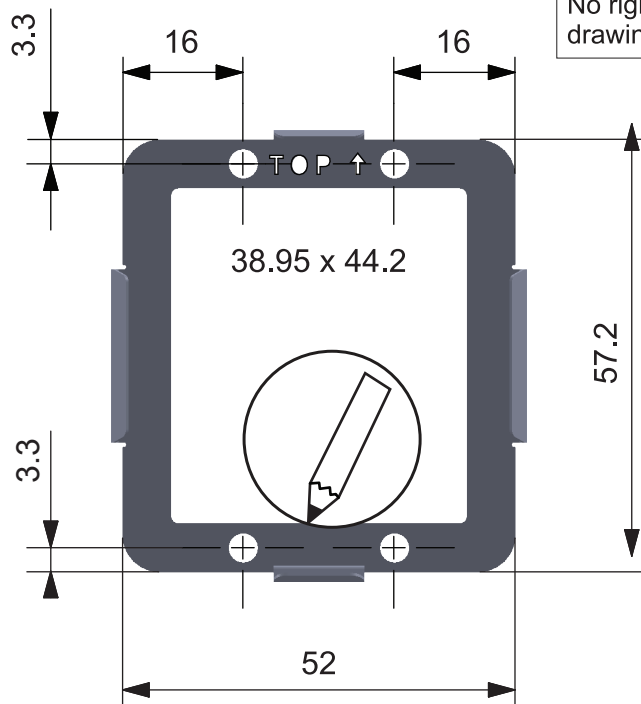


Mounting



Please check the scale before using this paper as a template for cutting a hole in your panel !!
No rights can be derived from this drawing.

Use the metal frame as a template for marking



Template for drilling and cutting

